



2019

2020

**BITEX**®

[www.bitexhubs.com](http://www.bitexhubs.com)

## Company

The hub is important because it is the main weight-bearing component of the bike. The weight of bicycle and the rider, with all the rolling forces, bear down on the hubs. Amid today's varied and demanding bicycle-performance requirements. Bitex makes a wide range of bicycle hubs that offer :

- Superior strength & stiffness
- Longest lasting durability & reliability
- Lightest weight
- Smoothest rolling performance
- Best value
- Finest finishing colors

BITEX INDUSTRIAL CO. LTD  
[www.biteshubs.com](http://www.biteshubs.com)



MADE IN TAIWAN

This is the revolution to make the hubs-unique in the world  
Good quality / Best Service / Customers satisfaction

## INDEX

**HISTORY** \_\_\_\_\_ 02

**PATENTS FREEHUB BODY**



**Anti-Bite**

**48HD FOR ROAD**

Shimano Titanium 11s  
Shimano Alloy 10s /11s  
SRAM Alloy XD 11s/12s  
Campy Alloy 11s  
SRAM Alloy XD 11s/12s

**54HD FOR MTB**

Shimano Titanium 11s  
Shimano Alloy 10s/11s  
Shimano Alloy 10s/11s **6 pawls working together**  
Shimano Steel 11s  
SRAM Alloy XD 11s/12s

03

**ROAD BIKE HUBS**

STRAIGHT PULL BX313F BX313R **Titanium** \_\_\_\_\_ 06  
 BX312F BX312R **CenterLock** · BX311F BX311R \_\_\_\_\_ 07  
 BX308F BX308R · BX307F BX307R \_\_\_\_\_ 08  
 BX306FG · BX306F BX306R \_\_\_\_\_ 09  
 BX305FN BX305RN · BX305F BX305R \_\_\_\_\_ 10  
 BX303FC BX303RC · BX303F BX303R \_\_\_\_\_ 11  
 BX301F BX301R · RSPF RSPR \_\_\_\_\_ 12

J-BEND BX201F BX201R **CycloCross** · BX106F BX106R **CenterLock** \_\_\_\_\_ 13  
 BX103F BX103R · BX101F BX101R **Touring Bike** \_\_\_\_\_ 14  
 RAF16 RAR16 · RAF12 RAR12 \_\_\_\_\_ 15  
 RAF10 RAR9 · RAF8 RAR8 A702SB **Folding Bike** \_\_\_\_\_ 16

**MTB HUBS**

STRAIGHT PULL BX402F BX402R **Boost** · BX401F BX401R \_\_\_\_\_ 17

J-BEND BX212F BX212R **Boost CenterLock** \_\_\_\_\_ 18  
 BX213F BX211F BX211R **Boost** · BX210F BX210R **Boost** \_\_\_\_\_ 19  
 BX601F BX602F **Lefty** \_\_\_\_\_ 20  
 BX207F BX207R **For Heavy Duty** · A20M  
 BX201FG · MTF15/20 · MTF10 · MTR12 · MTR12-150 \_\_\_\_\_ 21  
 FB-MTF15/20 (135/150mm) **Fat Bike** \_\_\_\_\_ 22  
 FB-MTR12 (170/177/190/197mm) **Fat Bike** \_\_\_\_\_ 23

**TRACK HUBS** TKF10 TKR10-D (FIXED / FIXED) TKR10-S (FIXED / FREE) \_\_\_\_\_ 24

**TRIKE / RECUMBENT BIKE** DH12N · DH15N · DH12M · DH15M · DH20M \_\_\_\_\_ 25

**WHEEL CHAIR HUBS** DH12NR8

**SKEWER** SK-MD01 · SK-MD02 · SK-MS01 \_\_\_\_\_ 26  
 SK-NO8 · SK-MF46 · SK-R12 \_\_\_\_\_ 27

**ENTRY PRODUCTS** A702SQ A702F · DL802F DL803R \_\_\_\_\_ 28  
 A771F A773R · A772R

# HISTORY



1923

## 1st Generation

Name of shop : Valisum Bike Shop

The first to offer : Rickshaw(1935)/Tricycle(1948)

1947

## 2nd Generation

Company Name : Valisum Industrial CO., Ltd.

The first company to develop coaster hub.

1978

## 3rd & 4th Generation

Company Name : Bitex Industrial Co., Ltd.



2010

## 4th Generation

6 Pawls System / Patented



2014

54HD MTB Freehub Body

**Anti-Bite**

2017

Anti-Bite System / Patented

2018

## Wonderful year!

### **Congratulations!**

Our distributor CYP got good grades at Italian MTB  
And, European championship master1 category.

### **Congratulations!**

Jiri Fikejz won the e-bike challenge race at Bike Festival Garda Trentino.

## FREEHUB BODY

# Freehub Body

THE SOUL OF THE BIKE.

Patented



## 6 Pawls System

Taiwan - M425782

China - ZL 2011 2 04061190

Germany - Nr. 20 2011 051 875.2

USA - US 8,443,951 B1

## Anti-Bite

### Anti-Bite System

Taiwan - M519075

China - ZL 2015 2 0925200.8

Germany - Nr. 20 2015 106 474

USA - Processing



## Features

- 1). Lighter
- 2). Durable : total 6 pawls, 3 pawls one turn, 2 turns work
- 3). Smooth : 54HD(MTB) , 48HD(ROAD) high transmission efficiency
- 4). Easy to replace.
- 5). The price depends on the bearings.


## Bearing option

- 1). Steel Bearings
- 2). Stainless Steel Bearings
- 3). Ceramic Bearings
- 4). Japanese Ceramics Bearings

ROAD	MTB
 <p>106g ±5g Shimano Titanium 11s R07-F2C1</p>	 <p>111g ±5g Shimano Titanium 11s R07-G2C2</p>
 <p>77g ±5g Shimano Alloy 10/11s R07T-A2C1 For RAR9</p>	 <p>80g ±5g Shimano Alloy 10/11s R07T-M2C2</p>
 <p>77g ±5g Shimano Alloy 10/11s R07T-B2C1</p>	 <p>79g ±5g 6 Pawls working together Shimano Alloy R07T-M2C2Z Heavy Duty</p>
 <p>73g ±5g Campy Alloy 11s R07-C2C1B</p>	 <p>153g ±5g Shimano Steel 11s R07-K2A2 For BX103R / Heavy Duty</p>
 <p>73g ±5g Alloy SRAM XD</p>	 <p>73g ±5g Alloy SRAM XD R07-D2C2</p>

# FREEHUB BODY

---



**6 Pawls System**  
Work smooth and high transmission efficiency

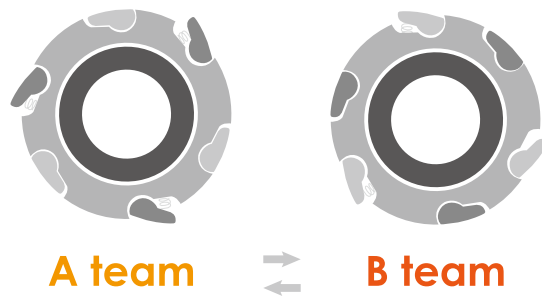
Our patented 6-pawl freehub body features two sets of three, large pawls, allowing for faster engagement and greater durability.



## How it works

New and improved design.

Two sets of three pawls - six in total - reduction in distance between points of engagement by 50%.

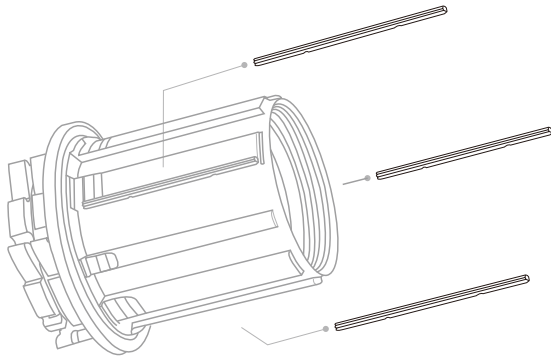


# FREEHUB BODY

## Anti-Bite Anti-Bite System

One of the most common complaints about Alloy freehub bodies is how easily they can be gouged by cassettes, leaving ugly notches that make removing the cassette difficult. Introducing the new Bitex “Anti-Bite System” - three small, hardened stainless splines to our patented 6-pawl freehub body that will absorb the pressure of the steel cassette. Customers asked for a solution to freehub gouging, and we’ve delivered it.

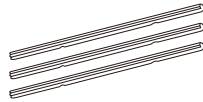
### Innovative design



With Anti-Bite



Stainless Splines  
x 3



Stainless steel splines on our Shimano freehubs without increasing weight.

# ROAD BIKE HUBS

# TITANIUM

technical + innovation



<b>BX313F</b>	Titanium / Centerlock / Straight Pull	
Weight	121g ± 5g	
Bearings	◎ 2 (6803*2)	
Gauge	14	
Hole Count	24	
Axle system	M9(QR)/100mm	12/100mm
P.C.D	ø 36	



<b>BX313R</b>	Titanium / Centerlock / Straight Pull	
Weight	278g ± 5g	
Bearings	◎ 4 (6802*2+6902*2)	
Gauge	14	
Hole Count	24	
Axle system	M10(QR)/142mm	12/142mm
P.C.D	ø 36 - ø 49	

Free Hub Body Compatible for  
Shimano 10 / 11s Alloy , Shimano 10 / 11s Titanium



## ROAD BIKE HUBS

**BX312F**

Centerlock / Straight Pull

Weight	105g ± 5g
Bearings	◎ 2 (6803*2)
Gauge	14
Hole Count	24, 28
Axle system	M9(QR)/100mm 12/100mm 15/100mm
P.C.D	∅ 36

**BX312R**

Centerlock / Straight Pull

Weight	230g ± 5g
Bearings	◎ 4 (6902*2+6802*2)
Gauge	14
Hole Count	24, 28
Axle system	M10(QR)/135mm 12/135mm 10/135mm 12/142mm
P.C.D	∅ 36 - ∅ 49

Free Hub Body Compatible for

Shimano 10 / 11s , Campy , SRAM XD 11 / 12s

**BX311F**

Straight Pull

Weight	86g ± 5g
Bearings	◎ 2 (699*2)
Gauge	14
Hole Count	18, 20
Axle system	M9(QR)/100mm
P.C.D	∅ 28

**BX311R**

Straight Pull

Weight	217g ± 5g
Bearings	◎ 4 (6802*2+6902*2)
Gauge	14
Hole Count	7/14, 12/12(24)
Axle system	M10(QR)/130mm
P.C.D	∅ 35 - ∅ 51

Free Hub Body Compatible for

Shimano 10 / 11s , Campy , SRAM XD 11 / 12s

## ROAD BIKE HUBS

New generation Road Bike Hub, using innovative carbon bounding technology to allow varieties of hub looks. Straight pull design increases durability. Bigger size of flange increases lateral stiffness. Suitable for routine training.



### **BX308F** Carbon / Aluminum Flanges / Straight Pull

Weight	73g ± 5g
Bearings	◎ 2 (699*2)
Gauge	14
Hole Count	18, 20
Axle system	M9(QR)/100mm
P.C.D	∅ 34



### **BX308R** Carbon / Aluminum Flanges / Straight Pull

Weight	260g ± 5g
Bearings	◎ 4 (6802*2+6902*2)
Gauge	14
Hole Count	7/14, 8/16
Axle system	M10(QR)/130mm
P.C.D	∅ 30 - ∅ 68

Free Hub Body Compatible for  
Shimano 10 / 11s , Campy , SRAM XD 11 / 12s



### **BX307F** Carbon / Aluminum Flanges / Straight Pull

Weight	95g ± 5g
Bearings	◎ 2 ( 699*2 )
Gauge	14
Hole Count	16, 18, 20
Axle system	M9(QR)/100mm
P.C.D	∅ 34



### **BX307R** Carbon / Aluminum Flanges / Straight Pull

Weight	260g ± 5g
Bearings	◎ 4 (6802*2+6902*2)
Gauge	14
Hole Count	7/14, 8/16
Axle system	M10(QR)/130mm
P.C.D	∅ 42 - ∅ 68

Free Hub Body Compatible for  
Shimano 10 / 11s , Campy , SRAM XD 11 / 12s

# ROAD BIKE HUBS



## BX306FG Straight Pull

Weight	110g ± 5g		
Bearings	◎ 2 ( 6803*2 )		
Gauge	14		
Hole Count	20, 24		
Axle system	M9(QR)/100mm	12/100mm	15/100mm
P.C.D	ø 36		

BX306FG – New generation Road Bike Hub with disk brake. Straight pull design increases durability. Unlike the traditional caliper brake hubs, this hub provides more powerful brake force and improves braking during poor weather conditions. Suggested for heavier-set riders.



## BX306F Straight Pull

Weight	99g ± 5g	
Bearings	◎ 2 ( 6802*2 )	
Gauge	14	
Hole Count	20, 24	
Axle system	M9(QR)/100mm	
P.C.D	ø 32	



## BX306R Straight Pull

Weight	231g ± 5g	
Bearings	◎ 4 (6802*2+6902*2)	
Gauge	14	
Hole Count	24	
Axle system	M10(QR)/135mm	12/135mm
	10/135mm	12/142mm
P.C.D	ø 35 - ø 49	

Free Hub Body Compatible for  
Shimano 10 / 11s , Campy , SRAM XD 11 / 12s

# ROAD BIKE HUBS



## **BX305FN** A7075 / Straight Pull

Weight	64g ± 5g
Bearings	◎ 2 (699*2)
Gauge	14
Hole Count	20
Axle system	M9(QR)/100mm
P.C.D	∅ 28



## **BX305RN** A7075 / Straight Pull

Weight	185g ± 5g
Bearings	◎ 4 (6802*4)
Gauge	14
Hole Count	20, 24
Axle system	M10(QR)/130mm
P.C.D	∅ 35 - ∅ 49

Free Hub Body Compatible for  
Shimano 10 / 11s , Campy , SRAM XD 11 / 12s



## **BX305F** Straight Pull

Weight	66g ± 5g
Bearings	◎ 2 (699*2)
Gauge	14
Hole Count	20
Axle system	M9(QR)/100mm
P.C.D	∅ 28



## **BX305R** Straight Pull

Weight	204g ± 5g
Bearings	◎ 4 (6802*2+6902*2)
Gauge	14
Hole Count	20, 24
Axle system	M10(QR)/130mm M10(QR)/135mm
P.C.D	∅ 35 - ∅ 49

Free Hub Body Compatible for  
Shimano 10 / 11s , Campy , SRAM XD 11 / 12s

# ROAD BIKE HUBS



## BX303FC Straight Pull

Weight	79g ± 5g
Bearings	◎ 2 (699*2)
Gauge	14
Hole Count	20
Axle system	M9(QR)/100mm
P.C.D	∅ 28



## BX303RC Straight Pull

Weight	228g ± 5g
Bearings	◎ 4 (6802*2+6902*2)
Gauge	14
Hole Count	24
Axle system	M10(QR)/130mm
P.C.D	∅ 30 - ∅ 52.5

Free Hub Body Compatible for  
Shimano 10 / 11s , Campy , SRAM XD 11 / 12s



## BX303F Straight Pull

Weight	75g ± 5g
Bearings	◎ 2 (699*2)
Gauge	14
Hole Count	18, 20
Axle system	M9(QR)/100mm
P.C.D	∅ 28



## BX303R Straight Pull

Weight	225g ± 5g
Bearings	◎ 4 (6802*2+6902*2)
Gauge	14
Hole Count	7/14, 8/16, 24
Axle system	M10(QR)/130mm
P.C.D	∅ 30 - ∅ 52.5

Free Hub Body Compatible for  
Shimano 10 / 11s , Campy , SRAM XD 11 / 12s

# ROAD BIKE HUBS



## BX301F Straight Pull

Weight	97g ± 5g
Bearings	◎ 2 (6900*2)
Gauge	14
Hole Count	18, 20
Axle system	M9(QR)/100mm
P.C.D	∅ 30.3



## BX301R Straight Pull

Weight	227g ± 5g
Bearings	◎ 4 (6802*2+6902*2)
Gauge	14
Hole Count	7/14, 8/16, 24
Axle system	M10(QR)/130mm
P.C.D	∅ 32 - ∅ 52.5

Free Hub Body Compatible for  
Shimano 10 / 11s , Campy , SRAM XD 11 / 12s



## RSPF Straight Pull

Weight	106g ± 5g
Bearings	◎ 2 (6900*2)
Gauge	14
Hole Count	16, 18, 20
Axle system	M9(QR)/100mm
P.C.D	∅ 30.3



## RSPR Straight Pull

Weight	210g ± 5g
Bearings	◎ 4 (6802*2+6902*2)
Gauge	14
Hole Count	7/14, 8/16, 24
Axle system	M10(QR)/130mm
P.C.D	∅ 32 - ∅ 52.5

Free Hub Body Compatible for  
Shimano 10 / 11s , Campy , SRAM XD 11 / 12s

## ROAD BIKE HUBS



### BX201F Cyclo cross / J-Bend

Weight	133g ± 5g
Bearings	◎ 2 (6802*2)
Gauge	14
Hole Count	20, 24
Axle system	M9(QR)/100mm
P.C.D	∅ 58 - ∅ 45



### BX201R Cyclo cross / J-Bend

Weight	286g ± 5g
Bearings	◎ 4 ( 6902*3+6802*1 )
Gauge	14
Hole Count	24, 28
Axle system	M10(QR)/135mm      12/135mm
	10/135mm                      12/142mm
P.C.D	∅ 58

Free Hub Body Compatible for  
Shimano 10 / 11s , SRAM XD 11 / 12s



### BX106F Centerlock / J-Bend

Weight	125g ± 5g
Bearings	◎ 2 (6902*2)
Gauge	14
Hole Count	24, 28, 32
Axle system	M9(QR)/100mm      12/100mm
	15/100mm
P.C.D	∅ 45



### BX106R Centerlock / J-Bend

Weight	230g ± 5g
Bearings	◎ 4 (6902*3+6802*1)
Gauge	14
Hole Count	24, 28, 32
Axle system	M10(QR)/135mm      12/135mm
	12/142mm
P.C.D	∅ 45 - ∅ 50.6

Free Hub Body Compatible for  
Shimano 10 / 11s , Campy , SRAM XD 11 / 12s

# ROAD BIKE HUBS



## BX103F Touring Bike / J-Bend

Weight	163g ± 5g
Bearings	◎ 4 (6804*4)
Gauge	14
Hole Count	28, 32, 36
Axle system	M9(QR)/100mm 15/100mm
P.C.D	∅ 45



## BX103R Touring Bike / J-Bend

Weight	339g ± 5g
Bearings	◎ 6 ( 6902*4+6802*2 )
Gauge	14
Hole Count	28, 32, 36, 40
Axle system	M10(QR)/130mm M10(QR)/135mm
P.C.D	∅ 58

Free Hub Body Compatible for  
Shimano 10 / 11s , SRAM XD 11 / 12s



## BX101F Touring Bike / J-Bend

Weight	163g ± 5g
Bearings	◎ 2 (6804*2)
Gauge	14
Hole Count	28, 32, 36
Axle system	M9(QR)/100mm 15/100mm
P.C.D	∅ 45



## BX101R Touring Bike / J-Bend

Weight	255g ± 5g
Bearings	◎ 4 (6902*3+6802*1)
Gauge	14
Hole Count	28, 32, 36, 40
Axle system	M10(QR)/130mm 10/130mm 12/130mm M10(QR)/135mm 10/135mm 12/135mm 12/142mm
P.C.D	∅ 58

Free Hub Body Compatible for  
Shimano 10 / 11s , SRAM XD 11 / 12s



## ROAD BIKE HUBS

**RAF16****J-Bend**

Weight	116g ± 5g
Bearings	◎ 2 (6000*2)
Gauge	14
Hole Count	20, 24, 28, 32
Axle system	M9(QR)/100mm
P.C.D	∅ 35.5

**RAR16****J-Bend**

Weight	222g ± 5g
Bearings	◎ 4 (6802*2+6902*2)
Gauge	14
Hole Count	24, 28, 32
Axle system	M10(QR)/130mm    M10(QR)/135mm
P.C.D	∅ 50.6

Free Hub Body Compatible for  
Shimano 10 / 11s , Campy , SRAM XD 11 / 12s

**RAF12****J-Bend**

Weight	86g ± 5g
Bearings	◎ 2 (6900*2)
Gauge	14
Hole Count	20, 24, 28, 32
Axle system	M9(QR)/100mm
P.C.D	∅ 32

**RAR12****J-Bend**

Weight	215g ± 5g
Bearings	◎ 4 (6802*2+6902*2)
Gauge	14
Hole Count	7/14, 8/16, 24, 28, 32
Axle system	M10(QR)/130mm    M10(QR)/135mm
P.C.D	∅ 38.5 - ∅ 50.6

Free Hub Body Compatible for  
Shimano 10 / 11s , Campy , SRAM XD 11 / 12s

# ROAD BIKE HUBS



## RAF10

J-Bend

Weight	66g ± 5g
Bearings	◎ 4 (688*4)
Gauge	14
Hole Count	16, 18, 20
Axle system	M9(QR)/100mm
P.C.D	∅ 30



## RAR9

J-Bend

Weight	192g ± 5g
Bearings	◎ 4 (6802*4)
Gauge	14
Hole Count	7/14, 8/16, 20, 24
Axle system	M10(QR)/130mm    M10(QR)/135mm
P.C.D	∅ 38.5 - ∅ 50.6

Free Hub Body Compatible for  
Shimano 10 / 11s , Campy , SRAM XD 11 / 12s



## RAF8

Folding Bike / J-Bend

Weight	65g ± 5g
Bearings	◎ 2 (699*2)
Gauge	14
Hole Count	16, 18, 20, 24
Axle system	M9(QR)/74mm M9(QR)/85mm M9(QR)/100mm
P.C.D	∅ 30



## RAR8

Folding Bike / J-Bend

Weight	185g ± 5g
Bearings	◎ 4 (6802*3+6902*1)
Gauge	14
Hole Count	7/14, 8/16, 24, 28
Axle system	M10(QR)/120mm M10(QR)/130mm
P.C.D	∅ 38.5 - ∅ 50.6

Free Hub Body Compatible for  
Shimano 10 / 11s , Campy



## A702SB

Folding Bike / J-Bend

Weight	151g ± 5g
Bearings	◎ 2 (6000*2)
Gauge	14
Hole Count	20, 24, 28, 32
Axle system	M9(QR)/76mm M9(QR)/88mm M9(QR)/100mm
P.C.D	2.5mm - ∅ 35 2.7mm - ∅ 35.5



## MTB HUBS



### BX212F

Centerlock / J-Bend

Weight	140g ± 5g
Bearings	◎ 2 (6902*2)
Gauge	14
Hole Count	28, 32
Axle system	M9(QR)/110mm 15/110mm 20/110mm
P.C.D	∅ 58 - ∅ 45



### BX212R

Centerlock / J-Bend

Weight	260g ± 5g
Bearings	◎ 4 (6902*3+6802*1)
Gauge	14
Hole Count	28, 32
Axle system	12/148mm
P.C.D	∅ 58 - ∅ 58

Free Hub Body Compatible for

Shimano 10 / 11s , SRAM XD 11 / 12s



# MTB HUBS



<b>BX213F</b>	Boost / J-Bend
Weight	180g ± 5g
Bearings	⊙ 2 (6805*2)
Gauge	14
Hole Count	28, 32
Axle system	20/110mm
P.C.D	∅ 58 - ∅ 49



<b>BX211F</b>	Boost / J-Bend
Weight	150g ± 5g
Bearings	⊙ 2 (6903*2)
Gauge	14
Hole Count	28, 32
Axle system	15/110mm
P.C.D	∅ 58 - ∅ 45



15M

15M FOR  
**ROCKSHOX**

<b>BX211R</b>	Boost / J-Bend
Weight	284g ± 5g Light Weight
Bearings	⊙ 4 (6902*3+6802*1)
Gauge	14
Hole Count	28, 32
Axle system	12/148mm 12/148mm (Cr-Mo)
P.C.D	∅ 58

Free Hub Body Compatible for  
Shimano 10 / 11s , SRAM XD 11 / 12s



<b>BX210F</b>	Boost / J-Bend
Weight	180g ± 5g
Bearings	⊙ 2 (6804*2)
Gauge	14
Hole Count	28, 32
Axle system	15/110mm
P.C.D	∅ 58 - ∅ 45



<b>BX210R</b>	Boost / J-Bend
Weight	335g ± 5g
Bearings	⊙ 4 (6902*3+6802*1)
Gauge	14
Hole Count	28, 32
Axle system	12/148mm 12/148mm (Cr-Mo)
P.C.D	∅ 58

Free Hub Body Compatible for  
Shimano 10 / 11s , SRAM XD 11 / 12s

# MTB HUBS



## BX207F For Heavy Duty / J-Bend

Weight	215g ± 5g		
Bearings	◎ 4 (6804*4)		
Gauge	14		
Hole Count	24, 28, 32		
Axle system	M9(QR)/100mm	12/100mm	15/100mm
P.C.D	ø 58 - ø 45		



## BX207R For Heavy Duty / J-Bend

Weight	380g ± 5g	
Bearings	◎ 6 (6902*4+6802*2)	
Gauge	14	
Hole Count	24, 28, 32	
Axle system	M10(QR)/135mm	12/135mm
	10/135mm	12/142mm
		12/142mm (Cr-Mo)
P.C.D	ø 58	

Free Hub Body Compatible for  
Shimano 10 / 11s , SRAM XD 11 / 12s



## BX601F 100mm

## BX602F 110mm Lefty Hubs / J-Bend

Weight	124g ± 5g	
Bearings	◎ 2 (6805*1+6902*1)	
Gauge	14	
Hole Count	28, 32	
O.L.D	BX601F-100mm	
	BX602F-110mm	
P.C.D	ø 58 - ø 45	



## A20M J-Bend

Weight	251g ± 5g	
Bearings	◎ 2 (6805*2)	
Gauge	14	
Hole Count	24, 28, 32, 36	
ID	20mm	
P.C.D	ø 58	

# MTB HUBS



<b>BX201FG</b>	<b>J-Bend</b>
Weight	121g ± 5g
Bearings	◎ 2 (6803*2)
Gauge	14
Hole Count	24, 28, 32
Axle system	M9(QR)/100mm 12/100mm 15/100mm
P.C.D	∅ 58 - ∅ 45



<b>MTF15/20</b>	<b>J-Bend</b>
Weight	185g ± 5g
Bearings	◎ 2 (6804*2)
Gauge	14
Hole Count	24, 28, 32, 36
Axle system	M9(QR)/100mm 15/100mm 9/100mm 15/110mm 12/100mm 20/110mm
P.C.D	∅ 58 - ∅ 45



<b>MTF10</b>	<b>J-Bend</b>
Weight	173g ± 5g
Bearings	◎ 2 (6902*2)
Gauge	14
Hole Count	24, 28, 32, 36
Axle system	M9(QR)/100mm
P.C.D	∅ 58



<b>MTR12</b>	<b>J-Bend</b>
Weight	290g ± 5g
Bearings	◎ 4 (6902*3+6802*1)
Gauge	14
Hole Count	24, 28, 32, 36
Axle system	M10(QR)/135mm 12/142mm 10/135mm 12/142mm (Cr-Mo) 12/135mm
P.C.D	∅ 58

Free Hub Body Compatible for  
Shimano 10 / 11s , SRAM XD 11 / 12s



<b>MTR12-150</b>	<b>J-Bend</b>
Weight	306g ± 5g
Bearings	◎ 4 (6902*3+6802*1)
Gauge	14
Hole Count	28, 32
Axle system	M10(QR)/150mm 12/150mm 10/150mm 12/157mm
P.C.D	∅58

Free Hub Body Compatible for  
Shimano 10 / 11s , SRAM XD 11 / 12s

# MTB HUBS



### FB-MTF15/20-135 Fat Bike / 135mm / J-Bend

Weight	245g ± 5g	
Bearings	◎ 2 (6804*2)	
Gauge	14	
Hole Count	28, 32, 36	
Axle system	M9(QR)/135mm	15/135mm
	12/135mm	20/135mm
P.C.D	ø 58	

### FB-MTF15/20-150 Fat Bike / 150mm / J-Bend

Weight	264g ± 5g	
Bearings	◎ 2 (6804*2)	
Gauge	14	
Hole Count	28, 32, 36	
Axle system	M9(QR)/150mm	15/150mm
	12/150mm	20/150mm
P.C.D	ø 58	

#### Skewer SPEC. Option

##### QR | Skewer

- M10\*148.5mm(OLD:135mm)-Front
- M10\*167mm(OLD: 150mm)-Front
- M10\*190mm(OLD:170mm)-Rear
- M10\*210mm(OLD:190mm)-Rear

##### QR | Skewer : For Sram(w/o. Nut)

- 12M\*167B(OLD:135mm)-Front
- 12M\*202B(OLD:170mm)-Rear
- 12M\*209B(OLD:177mm)-Rear
- 12M\*220B(OLD:190mm)-Rear
- 12M\*229B(OLD:197mm)-Rear

##### SIZE | Skewer : For Shimano(W/Nut)

- 12M\*165B(OLD:135mm)-Front
- 12M\*200B(OLD:170mm)-Rear
- 12M\*207B(OLD:177mm)-Rear
- 12M\*220B(OLD:190mm)-Rear
- 12M\*227B(OLD:197mm)-Rear





## MTB HUBS


**FB-MTR12-170** Fat Bike / 170~177mm / J-Bend

Weight	323g ± 5g	
Bearings	◎ 4 (6902*3+6802*1)	
Gauge	14	
Hole Count	28, 32, 36	
Axle system	M10(QR)/170mm	12/170mm
	M10(QR)/177mm	12/177mm
P.C.D	ø 58	

Free Hub Body Compatible for  
Shimano 10 / 11s , SRAM XD 11 / 12s


**FB-MTR12-190** Fat Bike / 190~197mm / J-Bend

Weight	340g ± 5g	
Bearings	◎ 4 (6902*3+6802*1)	
Gauge	14	
Hole Count	28, 32, 36	
Axle system	M10(QR)/190mm	12/190mm
	M10(QR)/197mm	12/197mm
P.C.D	ø 58	

Free Hub Body Compatible for  
Shimano 10 / 11s , SRAM XD 11 / 12s

# TRACK HUBS



## TKF10

Weight	232g ± 5g
Bearings	◎ 2 ( 6000*2 )
Gauge	14
Hole Count	20, 24, 28, 32, 36
O.L.D	100mm
Axle	M9(hollow axle) 、 3/8"*140mm(solid axle)
P.C.D	ø 61.4



## TKR10-D

Fixed / Fixed

Weight	273g ± 5g
Bearings	◎ 2 ( 6000*2 )
Gauge	14
Hole Count	20, 24, 28, 32, 36
O.L.D	120mm
Axle	M10(hollow axle) 、 3/8"*165mm(solid axle)
P.C.D	ø 61.4



## TKR10-S

Fixed / Free

Weight	273g ± 5g
Bearings	◎ 2 ( 6000*2 )
Gauge	14
Hole Count	20, 24, 28, 32, 36
O.L.D	120mm
Axle	M10(hollow axle) 、 3/8"*165mm(solid axle)
P.C.D	ø 61.4

## COG

## Lock Ring

Type A

Type B

Type C

Type D

Type E

Type Light



SPHC-PO

NO : B100701  
16T / t = 3.0  
56g

NO : B100703  
17T / t = 2.8  
60g

NO : B100705  
18T / t = 2.8  
70g

SPHC-PO

NO : B100704  
17T / t = 2.2  
56g

NO : B100706  
18T / t = 2.2  
65g

SUS304

NO : B100708  
18T / t = 2.2  
54g

SPCC-PO

22T / t = 2.3  
86g

SPCC-PO

21T / t = 2.3  
79g

SCM430

16T / t = 3.0  
45g

SPCC-PO

T = 5.0  
18.5g

# TRIKE / RECUMBENT BIKE

Steinrikes Co. Viktor Horvatski and Robert Stein

The narrow DH12N hub for trikes that it is designed by Steinrikes for "16-18-20" wheels.



## DH12N

Weight	210g ± 5g
Bearings	◎ 2 (6001*2)
Gauge	14
Hole Count	20, 24, 28, 32
ID	12mm
Flange C-C	34mm
P.C.D	ø 57

## DH15N

Weight	210g ± 5g
Bearings	◎ 2 (6902*2)
Gauge	14
Hole Count	20, 24, 28, 32
ID	15mm
Flange C-C	34mm
P.C.D	ø 57



## DH12M

Weight	214g ± 5g
Bearings	◎ 2 (6001*2)
Gauge	14
Hole Count	28, 32, 36
ID	12mm
Flange C-C	58.5mm
P.C.D	ø 57

## DH15M

Weight	243g ± 5g
Bearings	◎ 2 (6902*2)
Gauge	14
Hole Count	28, 32, 36
ID	15mm
Flange C-C	58.5mm
P.C.D	ø 57



## DH20M

Weight	246g ± 5g
Bearings	◎ 2 (6805*1+6904*1)
Gauge	14
Hole Count	28, 32, 36
ID	20mm
P.C.D	ø 57

## Axle For DH20M With End Cap

Weight	83g ± 5g
Length	160mm

# WHEEL CHAIR HUBS

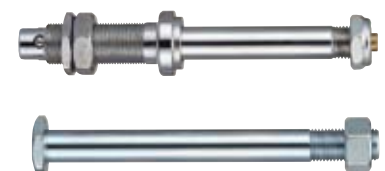


## DH12NR8

Weight	210g ± 5g
Bearings	◎ 2 (R8*2)
Gauge	14
Hole Count	20, 24, 28, 32
ID	12.7mm (R8*2)
Flange C-C	34mm
P.C.D	ø 57.5

## Axle For DH12NR8

Weight	QR - 185g ± 5g
	Nut - 133g ± 5g



# SKEWER



## SK-MD01 Titanium Axle Skewer

Weight 45g ± 5g (F+R)

Axle Material Titanium

Lever Material A7075

Parts Material A7075

Color



## SK-MD02 Titanium Axle Skewer

Weight 44g ± 5g (F+R)

Axle Material Titanium

Lever Material A7075

Parts Material A7075

Color



## SK-MS01 Titanium Axle Skewer

Weight 44g ± 5g (F+R)

Axle Material Titanium

Lever Material A7075

Parts Material A7075

Color



## SK-NO8 Cr-Mo Axle Skewer

Weight 110g ± 5g (F+R)

Axle Material Cr-Mo

Parts Material A6061

Color

# SKEWER



## SK-MF46 Cr-Mo Axle Skewer

Weight 125g ± 5g (F+R)

Axle Material Cr-Mo

Parts Material A6061

Color



## SK-MF42 Cr-Mo Axle Skewer

Weight 118g ± 5g (F+R)

Axle Material Cr-Mo

Parts Material A6061

Color



## SK-R12 For MTB Axle 12mm

Weight 80g ± 5g - Skewer for SRAM

88g ± 5g - Skewer for Shimano

Color

This Skewer used for MTB Rear Hubs when with Axle 12mm.



## SK-FB172 SK-FB174 For MTB Axle 12mm

Weight 33g ± 5g

This Skewer used for MTB Rear Hubs when with Axle 12mm.

# ENTRY

## A702SQ [Folding Bike / Front](#)

Weight	151g
Bearings	◎ 2 (6000*2)
Gauge	14
Hole Count	20, 24
O.L.D	74mm, 76mm
Flange C-C	46.5mm
Axle	M9 x 84mm
P.C.D	ø 35
Color	<input type="checkbox"/> <input type="checkbox"/>



## A702F [Folding Bike / Front](#)

Weight	155g
Bearings	◎ (Loose Balls)
Gauge	14
Hole Count	24, 28, 32
O.L.D	76mm
Flange C-C	46.5mm
Axle	3/8" x 115mm
P.C.D	ø 35
Color	<input type="checkbox"/> <input type="checkbox"/>



## DL802F [MTB / Front](#)

Weight	293g
Bearings	◎ (Loose Balls)
Gauge	14
Hole Count	32, 36, 48
O.L.D	100mm
Axle	3/8" {QR Type : M10}
P.C.D	ø 60
Color	<input type="checkbox"/>



## DL803R [MTB / Rear](#)

Weight	363g
Bearings	◎ (Loose Balls)
Gauge	14
Hole Count	32, 36, 48
O.L.D	135mm
Axle	3/8" {QR Type : M10}
P.C.D	ø 60
Color	<input type="checkbox"/>



## A771F [MTB / BMX / Front](#)

Weight	200g
Bearings	◎ (Loose Balls)
Gauge	14
Hole Count	24, 28, 32, 36
O.L.D	100mm
Axle	3/8" {QR Type : M9}
P.C.D	ø 35
Color	<input type="checkbox"/> <input type="checkbox"/>



## A773R [MTB / Rear](#)

Weight	308.5g
Bearings	◎ (Loose Balls)
Gauge	14
Hole Count	24, 28, 32, 36
O.L.D	126mm, 130mm, 135mm
Axle	3/8" {QR Type : M10}
P.C.D	ø 45.5
Color	<input type="checkbox"/> <input type="checkbox"/>



## A772R [BMX / Rear](#)

Weight	300g
Bearings	◎ (Loose Balls)
Gauge	14
Hole Count	24, 28, 32, 36
O.L.D	112mm, 114mm
Axle	3/8" {QR Type : M10}
P.C.D	ø 45.5
Color	<input type="checkbox"/> <input type="checkbox"/>





## BITEX INDUSTRIAL CO., LTD.

Tel	886 4 2452 7696
Fax	886 4 2452 7096
E-mail	<a href="mailto:min@bitexhubs.com">min@bitexhubs.com</a>
Website	<a href="http://www.bitexhubs.com">www.bitexhubs.com</a>
Add	<i>Office</i> No.48, Ln. 29, Fongming St., Situn Dist., Taichung 40744, Taiwan
	<i>Factory</i> No.140-1, Nanmei Ln., Hesheng St., Shigang Dist., Taichung City 422, Taiwan

Design & Printing by [www.molic.com](http://www.molic.com)

