



HUB FACTORY



2017
2018

BIKES ROLL BETTER

BITEX INDUSTRIAL CO., LTD.

Tel 886 4 2452 7696

Fax 886 4 2452 7096

E-mail min@bitexhubs.com


Website www.bitexhubs.com

Add *Office* No.48, Ln. 29, Fongming St., Situn Dist.,
Taichung 40744, Taiwan

Factory No.76, Desheng Rd., Daya Dist.,
Taichung 42846, Taiwan



INDEX

HISTORY		02
FREEHUB BODY	48HD FOR ROAD	54HD FOR MTB
	patents	
	Anti-Bite	
	SHIMANO TITANIUM 11s	SHIMANO TITANIUM 11s
	SHIMANO ALLOY 10s /11s	SHIMANO ALLOY 10s/11s
	CAMPY ALLOY 11s	SHIMANO ALLOY 10s/11s (6 pawls working together)
		SHIMANO STEEL 11s
		SRAM ALLOY XX1
ROAD BIKE HUBS		
STRAIGHT PULL	BX312F BX312R (CENTER LOCK) · BX311F BX311R	06
	BX308F BX308R	07
	BX307F BX307R	
	BX306FG · BX306F BX306R	08
	BX305FN BX305RN · BX305F BX305R	09
	BX303FC BX303RC · BX303F BX303R	10
	BX301F BX301R	11
	RSPF RSPR	
J-BEND	BX201F BX201R (CYCLO CROSS)	12
	BX106F BX106R (CENTER LOCK)	
	BX103F BX103R · BX101F BX101R (TOURING BIKE)	13
	RAF16 RAR16	14
	RAF12 RAR12	
	RAF10 RAR9	15
	RAF8 RAR8 · A702SB (FOLDING)	
MTB HUBS		
STRAIGHT PULL	BX402F BX402R (BOOST)	16
	BX401F BX401R	17
J-BEND	BX601F (LEFTY)	18
	BX210F BX210R · BX211F BX211R (BOOST)	18
	BX207F BX207R (FOR HEAVY DUTY)	20
	A20M	
	BX201FG · MTF15/20 · MTF10 · MTR12 · MTR12-150	21
	FB-MTF15/20 (135/150mm) (FAT BIKE HUBS)	22
	FB-MTR12 (170/177/190/197mm) (FAT BIKE HUBS)	23
TRACK HUBS	TKF10 TKR10-D (FIXED / FIXED) TKR10-S (FIXED / FREE)	24
TRIKE / RECUMBENT BIKE	DH12N · DH15N · DH12M · DH15M · DH20M	25
WHEEL CHAIR HUBS	DH12.7N	
SKEWER	SK-MD01 · SK-MD02 · SK-MS01	26
	SK-NO8 · SK-MF46 · SK-R12	27
ENTRY PRODUCTS	A702SQ A702F · DS200F DL200F	28
	DL802F DL803R · A771F A773R · A771F A772R	

| HISTORY |



1923

1st Generation

Name of shop : Valisum Bike Shop

The first to offer : Rickshaw(1935)/Tricycle(1948)

1947

2nd Generation

Company Name : Valisum Industrial CO., Ltd.

The first company to develop coaster hub.

1978

3rd & 4th Generation

Company Name : Bitex Industrial Co., Ltd.



2010

4th Generation

6 Pawls System / Patented



2014

54HD MTB Freehub Body



2017

Anti-Bite System / Patented



| FREEHUB BODY |

Freehub Body

THE SOUL OF THE BIKE.

Patented



6 Pawls System

- Taiwan - M425782
- China - ZL 2011 2 04061190
- Germany - Nr. 20 2011 051 875.2
- USA - US 8,443,951 B1

Anti-Bite

Anti-Bite System

- Taiwan - M519075
- China - ZL 2015 2 0925200.8
- Germany - Nr. 20 2015 106 474
- USA - Processing



Features

- 1). Lighter
- 2). Durable : total 6 pawls, 3 pawls one turn, 2 turns work
- 3). Smooth : 54HD(MTB) , 48HD(ROAD) high transmission efficiency
- 4). Easy to replace.
- 5). The price depends on the bearings.

Bearing option

- 1). Steel Bearings
- 2). Stainless Steel Bearings
- 3). Ceramic Bearings
- 4). Japanese Ceramics Bearings

ROAD
48HD



106.9g

Shimano Titanium 11s
R07-F2C1



77.2g

Shimano Alloy 10/11s
R07T-A2C1
For RAR9



77.2g

Shimano Alloy 10/11s
R07-B2C1



73.9g

Campy Alloy 11s
R07-C2C1B

MTB
54HD



111g

Shimano Titanium 11s
R07-G2C2



80g

Shimano Alloy 10/11s
R07-M2C2



79.9g

6 Pawls working together
Shimano Alloy
R07-M2C2Z
Heavy Duty



153.8g

Shimano Steel 11s
R07-K2A2
For BX103R / Heavy Duty



73.4g

Alloy SRAM XX1
R07-D2C2

| FREEHUB BODY |



6 Pawls System

Work smooth and high transmission efficiency

Our patented 6-pawl freehub body features two sets of three, large pawls, allowing for faster engagement and greater durability.



How it works

New and improved design.

Two sets of three pawls - six in total - reduction in distance between points of engagement by 50%.



A team



B team

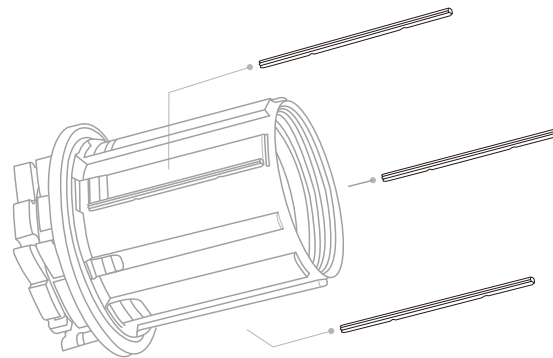


| FREEHUB BODY |

Anti-Bite Anti-Bite System

One of the most common complaints about Alloy freehub bodies is how easily they can be gouged by cassettes, leaving ugly notches that make removing the cassette difficult. Introducing the new Bitex “Anti-Bite System” - three small, hardened stainless splines to our patented 6-pawl freehub body that will absorb the pressure of the steel cassette. Customers asked for a solution to freehub gouging, and we’ve delivered it.

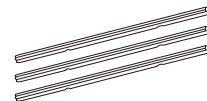
Innovative design



With Anti-Bite



Stainless Splines
x 3



Stainless steel splines on our Shimano freehubs without increasing weight.

NEW | ROAD BIKE HUBS |
STRAIGHT PULL



3 IN 1

CENTER LOCK

BX312F 105g

Bearings : \odot 2 (6803*2)

Gauge : 14

Hole count : 24 \ 28

Axle system : M9(QR) / 100mm
12 / 100mm
15 / 100mm

P.C.D : \varnothing 36



4 IN 1

CENTER LOCK

BX312R 230g

Bearings : \odot 4 (6902*2+6802*2)

Gauge : 14

Hole count : 24 \ 28

Axle system : M10(QR) / 135mm
10 / 135mm
12 / 135mm
12 / 142mm

P.C.D : \varnothing 36 - \varnothing 49

*Free Hub Body Compatible for
- Shimano 10 / 11s
- Campy
- SRAM (24T)



BX311F 86.4g

Bearings : \odot 2 (699*2)

Gauge : 14

Hole count : 18 \ 20

Axle system : M9(QR) / 100mm

P.C.D : \varnothing 28



BX311R 217.4g

Bearings : \odot 4 (6902*2+6802*2)

Gauge : 14

Hole count : 7/14 \ 12/12 (24)

Axle system : M10(QR) / 130mm

P.C.D : \varnothing 35 - \varnothing 51

*Free Hub Body Compatible for
- Shimano 10 / 11s
- Campy
- SRAM (24T)

ROAD BIKE HUBS

STRAIGHT PULL



BX308F 73.7g

Bearings : \odot 2 (699*2)
Gauge : 14
Hole count : 18 、 20
Axle system : M9(QR) / 100mm
P.C.D : \varnothing 34



BX308R 260g

Bearings : \odot 4 (6802*2+6902*2)
Gauge : 14
Hole count : 7/14 、 8/16
Axle system : M10(QR) / 130mm
P.C.D : \varnothing 30 - \varnothing 68
*Free Hub Body Compatible for
- Shimano 10 / 11s
- Campy
- SRAM (24T)



BX307F 95g

Bearings : \odot 2 (699*2)
Gauge : 14
Hole count : 16 、 18 、 20 、 24
Axle system : M9(QR) / 100mm
P.C.D : \varnothing 34



BX307R 260g

Bearings : \odot 4 (6802*2+6902*2)
Gauge : 14
Hole count : 7/14 、 8/16
Axle system : M10(QR) / 130mm
P.C.D : \varnothing 42 - \varnothing 68
*Free Hub Body Compatible for
- Shimano 10 / 11s
- Campy
- SRAM (24T)

ROAD BIKE HUBS

STRAIGHT PULL



BX306F 99g

Bearings : \odot 2 (6802*2)
Gauge : 14
Hole count : 20、24
Axle system : M9(QR) / 100mm
P.C.D : \varnothing 32



3 IN 1

BX306FG 110g

Bearings : \odot 2 (6803*2)
Gauge : 14
Hole count : 20、24
Axle system : M9(QR) / 100mm
12 / 100mm
15 / 100mm
P.C.D : \varnothing 36



4 IN 1

BX306R 231.4g

Bearings : \odot 4 (6802*2+6902*2)
Gauge : 14
Hole count : 24
Axle system : M10(QR) / 135mm
10 / 135mm
12 / 135mm
12 / 142mm
P.C.D : \varnothing 35 - \varnothing 49

*Free Hub Body Compatible for
- Shimano 10 / 11s
- Campy
- SRAM (24T)

ROAD BIKE HUBS

STRAIGHT PULL



BX305FN 64.6g

Bearings : \odot 2 (699*2)
Gauge : 14
Hole count : 20
Axle system : M9(QR) / 100mm
P.C.D : \varnothing 28
Material : A7075



BX305RN 185g

Bearings : \odot 4 (6802*4)
Gauge : 14
Hole count : 20 \ 24
Axle system : M10(QR) / 130mm
P.C.D : \varnothing 35 - \varnothing 49
Material : A7075

*Free Hub Body Compatible for
- Shimano 10 / 11s
- Campy
- SRAM (24T)



BX305F 66.5g

Bearings : \odot 2 (699*2)
Gauge : 14
Hole count : 20
Axle system : M9(QR) / 100mm
P.C.D : \varnothing 28



BX305R 204g

Bearings : \odot 4 (6802*2+6902*2)
Gauge : 14
Hole count : 20 \ 24
Axle system : M10(QR) / 130mm
M10(QR) / 135mm
P.C.D : \varnothing 35 - \varnothing 49

*Free Hub Body Compatible for
- Shimano 10 / 11s
- Campy
- SRAM (24T)

ROAD BIKE HUBS

STRAIGHT PULL



BX303FC 79g

Bearings : \odot 2 (699*2)
Gauge : 14
Hole count : 20
Axle system : M9(QR) / 100mm
P.C.D : \varnothing 28



BX303RC 228.6g

Bearings : \odot 4 (6802*2+6902*2)
Gauge : 14
Hole count : 24
Axle system : M10(QR) / 130mm
P.C.D : \varnothing 30 - \varnothing 52.5
*Free Hub Body Compatible for
- Shimano 10 / 11s
- Campy
- SRAM (24T)



BX303F 75.2g

Bearings : \odot 2 (699*2)
Gauge : 14
Hole count : 18 、 20 、 24
Axle system : M9(QR) / 100mm
P.C.D : \varnothing 28



BX303R 225g

Bearings : \odot 4 (6802*2+6902*2)
Gauge : 14
Hole count : 7/14 、 8/16 、 24 、 28
Axle system : M10(QR) / 130mm
P.C.D : \varnothing 30 - \varnothing 52.5
*Free Hub Body Compatible for
- Shimano 10 / 11s
- Campy
- SRAM (24T)

ROAD BIKE HUBS

STRAIGHT PULL



BX301F 97g

Bearings : \odot 2 (6900*2)
Gauge : 14
Hole count : 18 、 20 、 24
Axle system : M9(QR) / 100mm
P.C.D : \varnothing 30.3



BX301R 227g

Bearings : \odot 4 (6802*2+6902*2)
Gauge : 14
Hole count : 7/14 、 8/16 、 24 、 28
Axle system : M10(QR) / 130mm
P.C.D : \varnothing 32 - \varnothing 52.5

*Free Hub Body Compatible for
- Shimano 10 / 11s
- Campy
- SRAM (24T)



RSPF 106.5g

Bearings : \odot 2 (6900*2)
Gauge : 14
Hole count : 16 、 18 、 20 、 24
Axle system : M9(QR) / 100mm
P.C.D : \varnothing 30.3



RSPR 210g

Bearings : \odot 4 (6802*2+6902*2)
Gauge : 14
Hole count : 7/14 、 8/16 、 24 、 28
Axle system : M10(QR) / 130mm
P.C.D : \varnothing 32 - \varnothing 52.5

*Free Hub Body Compatible for
- Shimano 10 / 11s
- Campy
- SRAM (24T)

ROAD BIKE HUBS

J-BEND



2 IN 1

CYCLO CROSS

BX201F 133g

Bearings : \odot 2 (6802*2)

Gauge : 14

Hole count : 20 \ 24

Axle system : M9(QR) / 100mm

12 / 100mm

P.C.D : \varnothing 58 - \varnothing 45



4 IN 1

CYCLO CROSS

BX201R 286g

Bearings : \odot 4 (6902*3+6802*1)

Gauge : 14

Hole count : 24 \ 28

Axle system : M10(QR) / 135mm

10 / 135mm

12 / 135mm

12 / 142mm

P.C.D : \varnothing 58

Casste : Aluminum or Steel

*Free Hub Body Compatible for

- Shimano system : 10 / 11s

- SRAM system : XX1



3 IN 1

CENTER LOCK

BX106F 125g

Bearings : \odot 2 (6902*2)

Gauge : 14

Hole count : 24 \ 28 \ 32

Axle system : M9(QR) / 100mm

12 / 100mm

15 / 100mm

P.C.D : \varnothing 45



3 IN 1

CENTER LOCK

BX106R 230g

Bearings : \odot 4 (6902*3+6802*1)

Gauge : 14

Hole count : 24 \ 28 \ 32

Axle system : M10(QR) / 135mm, 136mm

12 / 135mm, 136mm

12 / 142mm, 143mm

P.C.D : \varnothing 45 - \varnothing 50.6

*Free Hub Body Compatible for

- Shimano 10 / 11s

- Campy

- SRAM (24T)

ROAD BIKE HUBS

J-BEND



3 IN 1

TOURING BIKE

BX103F 163g

Bearings : \odot 4 (6804*4)

Gauge : 14

Hole count : 28 、 32 、 36

Axle system : M9(QR) / 100mm
15 / 100mm
20 / 110mm

P.C.D : \varnothing 45



7 IN 1

TOURING BIKE

BX103R 339.6g

Bearings : \odot 6 (6902*4+6802*2)

Gauge : 14

Hole count : 28 、 32 、 36 、 40

Axle system : M10(QR) / 130mm M10(QR) / 135mm
10 / 130mm 10 / 135mm
12 / 130mm 12 / 135mm
12 / 142mm

P.C.D : \varnothing 58

- W/6 Pawls steel freehub body
(3 Bearings 6802*2+6902*1)



5 IN 1

TOURING BIKE

BX101F 163g

Bearings : \odot 2 (6804*2)

Gauge : 14

Hole count : 28 、 32 、 36

Axle system : M9(QR) / 100mm
9 / 100mm
12 / 100mm
15 / 100mm
20 / 110mm

P.C.D : \varnothing 45



7 IN 1

TOURING BIKE

BX101R 255g

Bearings : \odot 4 (6902*3+6802*1)

Gauge : 14

Hole count : 28 、 32 、 36 、 40

Axle system : M10(QR) / 130mm M10(QR) / 135mm
10 / 130mm 10 / 135mm
12 / 130mm 12 / 135mm
12 / 142mm

P.C.D : \varnothing 58

- W/6 Pawls alloy freehub body
(2 Bearings 6902*1+6802*1)

ROAD BIKE HUBS

J-BEND



RAF16 116.5g

Bearings : \odot 2 (6000*2)
Gauge : 14
Hole count : 20 、 24 、 28 、 32
Axle system : M9(QR) / 100mm
P.C.D : \varnothing 35.5



RAR16 222.5g

Bearings : \odot 4 (6802*2+ 6902*2)
Gauge : 14
Hole count : 24 、 28 、 32
Axle system : M10(QR) / 130mm
M10(QR) / 135mm
P.C.D : \varnothing 50.6
*Free Hub Body Compatible for
- Shimano 10 / 11s
- Campy
- SRAM (24T)



RAF12 86g

Bearings : \odot 2 (6900*2)
Gauge : 14
Hole count : 20 、 24 、 28 、 32
Axle system : M9(QR) / 100mm
P.C.D : \varnothing 32



RAR12 215g

Bearings : \odot 4 (6802*2+6902*2)
Gauge : 14
Hole count : 7/14 、 8/16 、 24 、 28 、 32
Axle system : M10(QR) / 130mm
M10(QR) / 135mm
P.C.D : \varnothing 38.5 - \varnothing 50.6
*Free Hub Body Compatible for
- Shimano 10 / 11s
- Campy
- SRAM (24T)

ROAD BIKE HUBS | J-BEND



RAF10 66g

Bearings : \odot 4 (688*4)
 Gauge : 14
 Hole count : 16 、 18 、 20
 Axle system : M9(QR) / 100mm
 P.C.D : \varnothing 30



RAR9 192g

Bearings : \odot 4 (6802*4)
 Gauge : 14
 Hole count : 7/14 、 8/16 、 20 、 24
 Axle system : M10(QR) / 130mm
 M10(QR) / 135mm
 P.C.D : \varnothing 38.5 - 50.6
 *Free Hub Body Compatible for
 - Shimano : 10 / 11s
 - Campy
 - SRAM (24T)



FOLDING
RAF8 65g

Bearings : \odot 2 (699*2)
 Gauge : 14
 Hole count : 16 、 18 、 20 、 24
 Axle system : M9(QR) / 74mm
 M9(QR) / 85mm
 M9(QR) / 100mm
 P.C.D : \varnothing 30



FOLDING
RAR8 185g

Bearings : \odot 4 (6802*3+6902*1)
 Gauge : 14
 Hole count : 7/14 、 8/16 、 24 、 28
 Axle system : M10(QR) / 120mm
 M10(QR) / 130mm
 P.C.D : \varnothing 38.5 - 50.6
 *Free Hub Body Compatible for
 - Shimano : 10 / 11s
 - Campy



FOLDING
A702SB 151g

Bearings : \odot 2 (6000*2)
 Gauge : 14
 Hole count : 20 、 24 、 28 、 32
 Axle system : M9(QR) / 76mm
 M9(QR) / 88mm
 M9(QR) / 100mm
 P.C.D : 2.5mm - \varnothing 35
 2.7mm - \varnothing 35.5

| MTB HUBS |
STRAIGHT PULL



BOOST

BX402F 179.7g

Bearings : \odot 2 (6903*2)

Gauge : 14

Hole count : 28 - 32

Axle system : 15 / 110mm

P.C.D : \varnothing 55



BOOST

BX402R 286g

Bearings : \odot 4 (6903*2+6802+6902)

Gauge : 14

Hole count : 28 - 32

Axle system : 12 / 148mm

P.C.D : \varnothing 55

*Free Hub Body Compatible for

- Shimano 10 / 11s

- SRAM XX1 (XD)

| MTB HUBS |

STRAIGHT PULL



5 IN 1

BX401F 183g(28H)

Bearings : ◎ 2 (6804*2)

Gauge : 14

Hole count : 24 、 28 、 32

Axle system : M9(QR) / 100mm
9 / 100mm
12 / 100mm
15 / 100mm
20 / 110mm

P.C.D : Ø51



4 IN 1

BX401R 275g(28H)

Bearings : ◎ 4 (6902*3+6802*1)

Gauge : 14

Hole count : 24 、 28 、 32

Axle system : M10(QR) / 135mm
10 / 135mm
12 / 135mm
12 / 142mm

P.C.D : Ø51

*Free Hub Body Compatible for

- Shimano 10 / 11s

- SRAM XX1(XD)

Skewer:Shimano(w/Nut). 12M*172B(OLD:142mm)

Skewer:Sram(w/o. Nut). 12M*174B(OLD:142mm)

| MTB HUBS |

J-BEND



Lefty Hub

BX601F(100mm) 124.5g

BX602F(110mm) 124.5g

Bearings : ◎ 2 (6805*1+6902*1)

Gauge : 14

Hole count : 28 \ 32

P.C.D : Ø58 - Ø45



BOOST

BX210F 180g

Bearings : ◎ 2 (6804*2)

Gauge : 14

Hole count : 28 \ 32

Axle system : 15 / 110mm

P.C.D : Ø58 - Ø45



BOOST

BX210R 335g

Bearings : ◎ 4 (6902*3+6802*1)

Gauge : 14

Hole count : 28 \ 32

Axle system : 12 / 148mm

P.C.D : Ø58

*Free Hub Body Compatible for

- Shimano 10 / 11s

- SRAM XX1(XD)

Skewer : Sram(w/o. Nut).12M*180B(OLD:148mm)

Skewer : Shimano(w/Nut).12M*178B(OLD:148mm)

| MTB HUBS |

J-BEND



BOOST

BX211F 150g

Light weight

Bearings : \odot 2 (6903*2)

Gauge : 14

Hole count : 28 \ 32

Axle system : 15 / 110mm

P.C.D : \varnothing 58 - \varnothing 45



BOOST

BX211R 284.3g

Light weight

Bearings : \odot 4 (6902*3+6802*1)

Gauge : 14

Hole count : 28 \ 32

Axle system : 12 / 148mm

P.C.D : \varnothing 58

*Free Hub Body Compatible for

- Shimano 10 / 11s

- SRAM XX1(XD)

| MTB HUBS |

J-BEND



3 IN 1

FOR HEAVY DUTY

BX207F 215g

Bearings : \odot 4 (6804*4)

Gauge : 14

Hole count : 24 、 28 、 32

Axle system : M9(QR) / 100mm
15 / 100mm
20 / 110mm

P.C.D : \varnothing 58 - \varnothing 45



4 IN 1

FOR HEAVY DUTY

BX207R 380g

Bearings : \odot 6 (6902*4+6802*2)

Gauge : 14

Hole count : 24 、 28 、 32

Axle system : M10(QR) / 135mm
10 / 135mm
12 / 135mm
12 / 142mm

P.C.D : \varnothing 58

*Free Hub Body Compatible for
- Shimano 10 / 11s (Material : Steel)
- SRAM XX1(XD)



A20M 251.5g

Bearings : \odot 2 (6805*2)

Gauge : 14

Hole count : 24 、 28 、 32 、 36

ID : 20mm

P.C.D : \varnothing 58

| MTB HUBS |

J-BEND



3 IN 1

BX201FG 121g

Bearings : ◎ 2 (6803*2)

Gauge : 14

Hole count : 24、28、32

Axle system : M9(QR) / 100mm
12 / 100mm
15 / 100mm

P.C.D : Ø58 - Ø45



5 IN 1

MTF15/20 185g

Bearings : ◎ 2 (6804*2)

Gauge : 14

Hole count : 24、28、32

Axle system : M9(QR) / 100mm
9 / 100mm
12 / 100mm
15 / 100mm
20 / 110mm

P.C.D : Ø58 - Ø45



MTF10 173.5g

Bearings : ◎ 2 (6902*2)

Gauge : 14

Hole count : 24、28、32、36

Axle system : M9(QR) / 100mm

P.C.D : Ø58



4 IN 1

MTR12 290g

Bearings : ◎ 4 (6902*3+6802*1)

Gauge : 14

Hole count : 24、28、32

Axle system : M10(QR) / 135mm
10 / 135mm
12 / 135mm
12 / 142mm

P.C.D : Ø58

*Free Hub Body Compatible for
- Shimano 10 / 11s
- SRAM XX1 (XD)



4 IN 1

MTR12-150 306g

Bearings : ◎ 4 (6902*3+6802*1)

Gauge : 14

Hole count : 28、32

Axle system : M10(QR) / 150mm
10 / 150mm
12 / 150mm
12 / 157mm

P.C.D : Ø58

*Free Hub Body Compatible for
- Shimano 10 / 11s
- SRAM XX1(XD)

| MTB HUBS |

J-BEND



3 IN 1

FAT BIKE HUBS

FB-MTF15/20 245.7g(135mm)

Bearings :  2 (6804*2)

Gauge : 14

Hole count : 28 、 32 、 36

Axle system : M9(QR) / 135mm

12 / 135mm

15 / 135mm

P.C.D : $\varnothing 58$



3 IN 1

FAT BIKE HUBS

FB-MTF15/20 264.9g(150mm)

Bearings :  2 (6804*2)

Gauge : 14

Hole count : 28 、 32 、 36

Axle system : M9(QR) / 150mm

12 / 150mm

15 / 150mm

P.C.D : $\varnothing 58$

| MTB HUBS |

J-BEND



4 IN 1

FAT BIKE HUBS

FB-MTR12 323.9g(170/177mm)

Bearings : ◎ 4 (6902*3+6802*1)

Gauge : 14

Hole count : 28 、 32 、 36

Axle system : M10(QR) / 170mm

M10(QR) / 177mm

12 / 170mm

12 / 177mm

P.C.D : Ø58

*Free Hub Body Compatible for

- Shimano 10 / 11s

- SRAM XX1 (XD)



4 IN 1

FAT BIKE HUBS

FB-MTR12 340.3g(190/197mm)

Bearings : ◎ 4 (6902*3+6802*1)

Gauge : 14

Hole count : 28 、 32 、 36

Axle system : M10(QR) / 190mm

M10(QR) / 197mm

12 / 190mm

12 / 197mm

P.C.D : Ø58

*Free Hub Body Compatible for

- Shimano 10 / 11s

- SRAM XX1 (XD)

QR | Skewer

M10*148.5mm(OLD:135mm)-Front

M10*167mm(OLD: 150mm)-Front

M10*190mm(OLD:170mm)-Rear

M10*210mm(OLD:190mm)-Rear

QR | Skewer : For Sram(w/o. Nut)

12M*167B(OLD:135mm)-Front

12M*202B(OLD:170mm)-Rear

12M*209B(OLD:177mm)-Rear

12M*220B(OLD:190mm)-Rear

12M*229B(OLD:197mm)-Rear

SIZE | Skewer : For Shimano(W/Nut)

12M*165B(OLD:135mm)-Front

12M*200B(OLD:170mm)-Rear

12M*207B(OLD:177mm)-Rear

12M*220B(OLD:190mm)-Rear

12M*227B(OLD:197mm)-Rear

M10(QR) / 197mm 12 / 197mm



M10(QR) / 190mm

12 / 190mm

QR

| TRACK HUBS |



TKF10 232g

Bearings : ◎ 2 (6000*2)
 Gauge : 14
 Holes : 20、24、28、32、36
 O.L.D : 100mm
 Axle : M9, 3/8**140mm (solid axle)
 P.C.D : Ø61.4



Fixed / Fixed
TKR10 - D



Fixed / Free
TKR10 - S

TKR10 273g

Bearings : ◎ 2 (6000*2)
 Gauge : 14
 Holes : 20、24、28、32、36
 O.L.D : 120mm
 Axle : M10, 3/8**165mm (solid axle)
 P.C.D : Ø61.4

COG

Lock Ring

Type A

Type B

Type C

Type D

Type E

Type Light



SPHC-PO

NO : B100701
 16T / t = 3.0
 56g

NO : B100703
 17T / t = 2.8
 60g

NO : B100705
 18T / t = 2.8
 70g

SPHC-PO

NO : B100704
 17T / t = 2.2
 56g

NO : B100706
 18T / t = 2.2
 65g

SUS304

NO : B100708
 18T / t = 2.2
 54g

SPCC-PO

22T / t = 2.3
 86g

SPCC-PO

21T / t = 2.3
 79g

SCM430

16T / t = 3.0
 45g

SPCC-PO

T = 5.0
 18.5g

| TRIKE/RECUMBENT BIKE |



DH12N 210.5g
DH15N 210.5g

Bearings : 2 (6001*2)
 Gauge : 14
 Holes : 20 、 24 、 28 、 32
 ID : 12mm(6001*2) - DH12N
 15mm(6902*2) - DH15N
 Flange C-C : 34mm
 P.C.D : $\varnothing 57$

Steintrikes Co.
 Viktor Horvatski and Robert Stein
 The narrow DH12N hub for trikes that it is designed by Steintrikes for "16-18-20" wheels.



DH12M 214g

Bearings : 2 (6001*2)
 Gauge : 14
 Holes : 28 、 32 、 36
 ID : 12mm
 Flange C-C : 58.5mm
 P.C.D : $\varnothing 57$

DH15M 243.5g

Bearings : 2 (6902*2)
 Gauge : 14
 Holes : 28 、 32 、 36
 ID : 15mm
 Flange C-C : 58.55mm
 P.C.D : $\varnothing 57$



DH20M 246.5g

Bearings : 2 (6805*1+6904*1)
 Gauge : 14
 Holes : 28 、 32 、 36
 ID : 20mm
 P.C.D : $\varnothing 57$



- Axle For DH20M
 Length : 160mm
 Weight : 83.6g
 With End Cap

| WHEEL CHAIR HUBS |



DH12.7N 396g(QR) 360g(Nut)

Bearings : 2 (R8*2)
 Gauge : 14
 Holes : 20 、 24 、 28 、 32
 ID : 12.7mm(R8*2)
 Flange C-C : 34
 Axle : QR (185.3g) or Nut (133g) Type
 P.C.D : $\varnothing 57.5$

DH12.7 AXLE

Weight : 185.3g
 Length : 1/2"*131mm
 Material : Stainless

| SKEWER |



SK-MD01 45.5g(F+R)

Titanium Axle Skewer

Axle Material : Titanium

Lever Material : A7075

Parts Material : A7075

Color : ■



SK-MD02 44.5g(F+R)

Titanium Axle Skewer

Axle Material : Titanium

Lever Material : A7075

Parts Material : A7075

Color : ■



SK-MS01 44g(F+R)

Titanium Axle Skewer

Axle Material : Titanium

Lever Material : A7075

Parts Material : A7075

Color : ■

| SKEWER |



SK-NO8 110g(F+R)

Cr-Mo Axle Skewer

Axle Material : Cr-Mo

Parts Material : A6061

Color : ■

For MTB Axle 12mm

This Skewer used for MTB Rear Hubs when with Axle 12mm.



SK-R12

Skewer for Shimano

Weight : 88g

Skewer for SRAM

Weight : 80g

Color : ■



SK-MF46 125g(F+R)

Cr-Mo Axle Skewer


Axle Material : Cr-Mo

Parts Material : A6061

Color : ■

A702SQ 151g


FOLDING BIKE FRONT

Bearings :  2 (6000*2)
Gauge : 14
Spoke Holes : 20 , 24 , 28 , 32
O.L.D : 76mm
Flange C-C : 46.5mm
Axle : M9*84mm - Cro-Moli
P.C.D : Ø35
Color :



A702F 155g


FOLDING BIKE FRONT

Bearings :  (Loose Balls)
Gauge : 14
Holes : 24 , 28 , 32
O.L.D : 76mm
Flange C-C : 46.5mm
Axle : 3/8"x115mm - 45C
P.C.D : Ø35
Color :



DS200F 282.5g

MTB FRONT

Bearings :  2 (6200*2)
Gauge : 14
Holes : 28 , 32 , 36
O.L.D : 100mm
Axle : M10 - Cro-Moli
P.C.D : Ø57
Color :



DL200F 282.5g

MTB FRONT

Bearings :  (Loose Balls)
Gauge : 14
Holes : 28 , 32 , 36
O.L.D : 100mm
Axle : M10 - 45C
P.C.D : Ø57
Color :



Company

The hub is important because it is the main weight-bearing component of the bike. The weight of bicycle and the rider, with all the rolling forces, bear down on the hubs. Amid today's varied and demanding bicycle-performance requirements. Bitex makes a wide range of bicycle hubs that offer :

- Superior strength & stiffness
- Longest lasting durability & reliability
- Lightest weight
- Smoothest rolling performance
- Best value
- Finest finishing colors

BITEX INDUSTRIAL CO. LTD
www.biteshubs.com



This is the revolution to make the hubs-unique in the world
Good quality / Best Service / Customers satisfaction

DL802F 293g

MTB FRONT

Bearings : (Loose Balls)
Gauge : 14
Holes : 32 、 36 、 48
O.L.D : 100mm
Axle : M10 , 3/8" - 45C
P.C.D : Ø60
Color :



DL803R 363g

MTB REAR

Bearings : (Loose Balls)
Gauge : 14
Holes : 32 、 36 、 48
O.L.D : 135mm
Axle : M10 , 3/8" - 45C
P.C.D : Ø60
Color :



A771F 200g

MTB FRONT

Bearings : (Loose Balls)
Gauge : 14
Holes : 28 、 32 、 36
O.L.D : 100mm
Axle : M9 , 3/8" - 45C
P.C.D : Ø35
Color :
*A771QR Axle : M9



A773R 308.5g

MTB REAR

Bearings : (Loose Balls)
Gauge : 14
Holes : 28 、 32 、 36
O.L.D : 126mm , 130mm , 135mm
Axle : M10 , 3/8" - 45C
P.C.D : Ø45.5
Color :



A771F 200g

BMX FRONT

Bearings : (Loose Balls)
Gauge : 14
Holes : 28 、 32 、 36
O.L.D : 100mm
Axle : M9 , 3/8" - 45C
P.C.D : Ø35
Color :
*A771QR Axle : M9



A772R 300g

BMX REAR

Bearings : (Loose Balls)
Gauge : 14
Holes : 28 、 32 、 36
O.L.D : 112mm , 114mm
Axle : M10 , 3/8" - 45C
P.C.D : Ø45.5
Color :
*A772QR Axle : M9

